

STANDARD TERMINALS FOR CYLINDRICAL CELLS

S



P



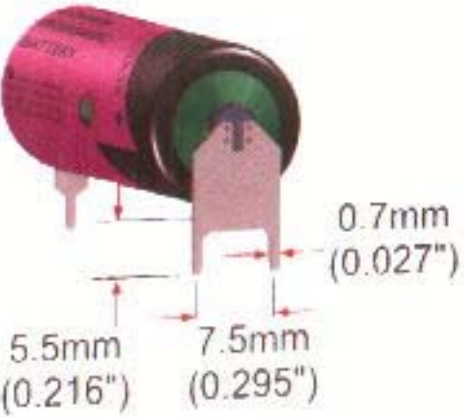
T



TP



PT



PT2

